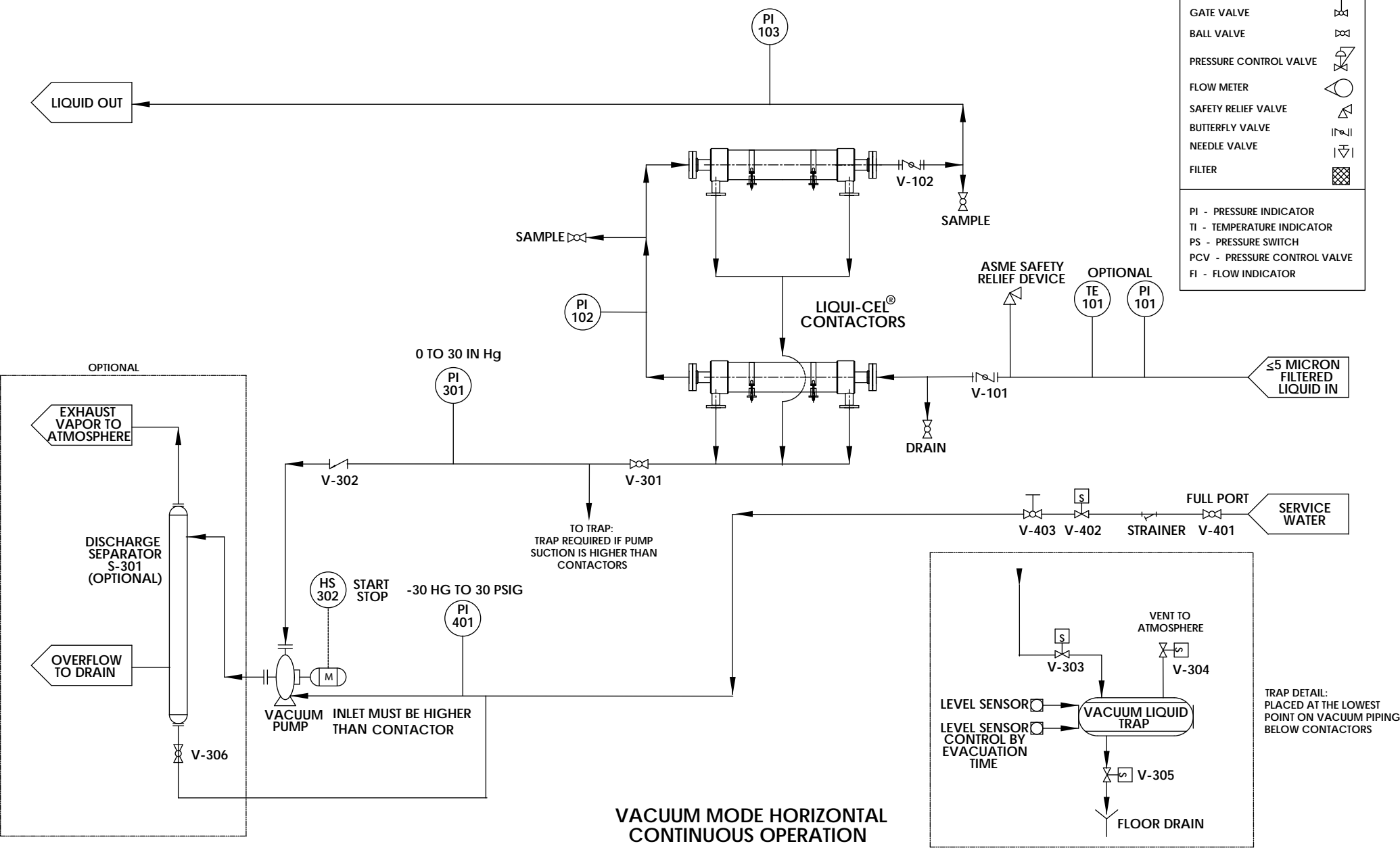


KEY

GATE VALVE	
BALL VALVE	
PRESSURE CONTROL VALVE	
FLOW METER	
SAFETY RELIEF VALVE	
BUTTERFLY VALVE	
NEEDLE VALVE	
FILTER	

PI - PRESSURE INDICATOR
TI - TEMPERATURE INDICATOR
PS - PRESSURE SWITCH
PCV - PRESSURE CONTROL VALVE
FI - FLOW INDICATOR



LIQUID OUT

PI 103

SAMPLE

SAMPLE

LIQUI-CEL<sup>®</sup> CONTACTORS

ASME SAFETY RELIEF DEVICE

OPTIONAL  
TE 101  
PI 101

≤5 MICRON FILTERED LIQUID IN

DRAIN

OPTIONAL

EXHAUST VAPOR TO ATMOSPHERE

DISCHARGE SEPARATOR S-301 (OPTIONAL)

OVERFLOW TO DRAIN

0 TO 30 IN Hg

PI 301

HS 302  
START STOP

-30 HG TO 30 PSIG

PI 401

VACUUM PUMP  
INLET MUST BE HIGHER THAN CONTACTOR

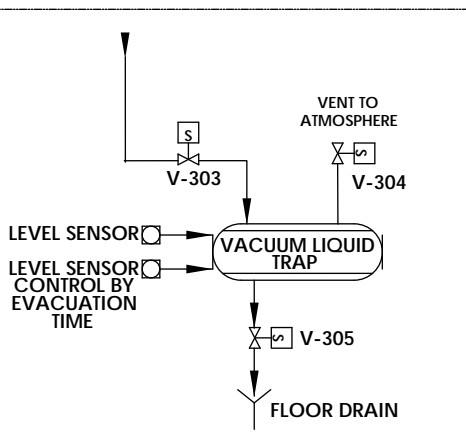
TO TRAP:  
TRAP REQUIRED IF PUMP SUCTION IS HIGHER THAN CONTACTORS

SERVICE WATER  
FULL PORT  
V-401

V-403

V-402

STRAINER



TRAP DETAIL:  
PLACED AT THE LOWEST POINT ON VACUUM PIPING BELOW CONTACTORS

FLOOR DRAIN

**VACUUM MODE HORIZONTAL CONTINUOUS OPERATION**